

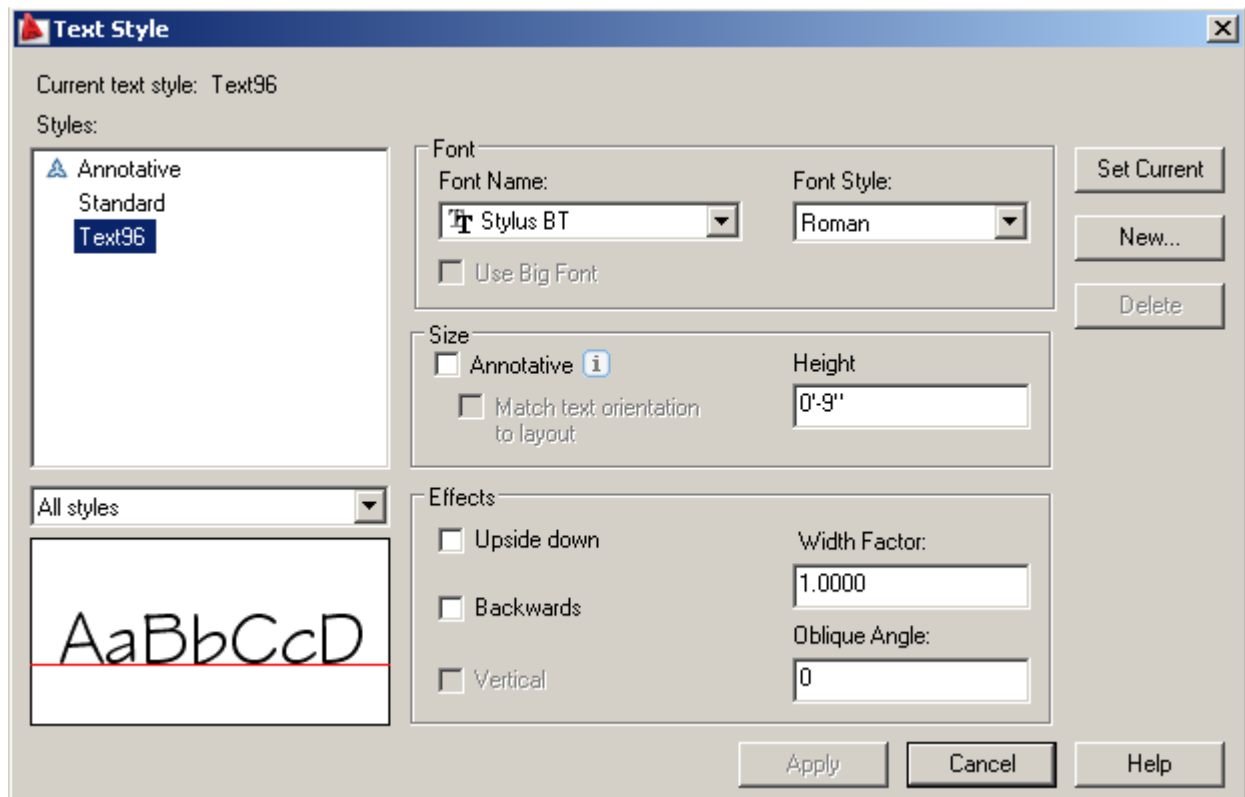
## Setting up Dimension Styles in AutoCAD 2009

The following tutorial will walk you through setting up text and dimension styles for 1/8": 1'0 Scale.

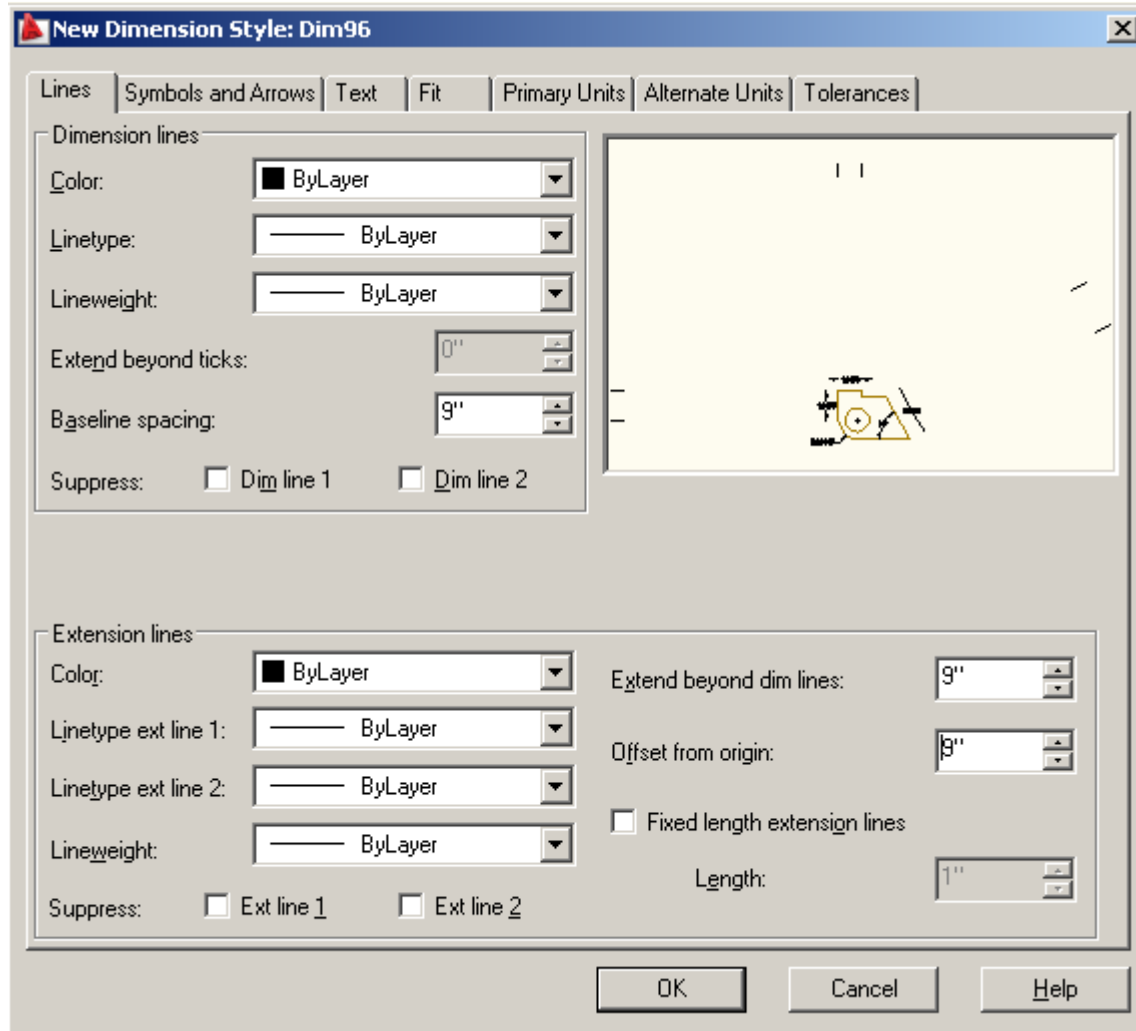
First set up your text style for 1/8": 1'0 Scale. Name this text "Text96". Choose the appropriate text height from the table below. Use Stylus BT as your font and set the text height to 9".

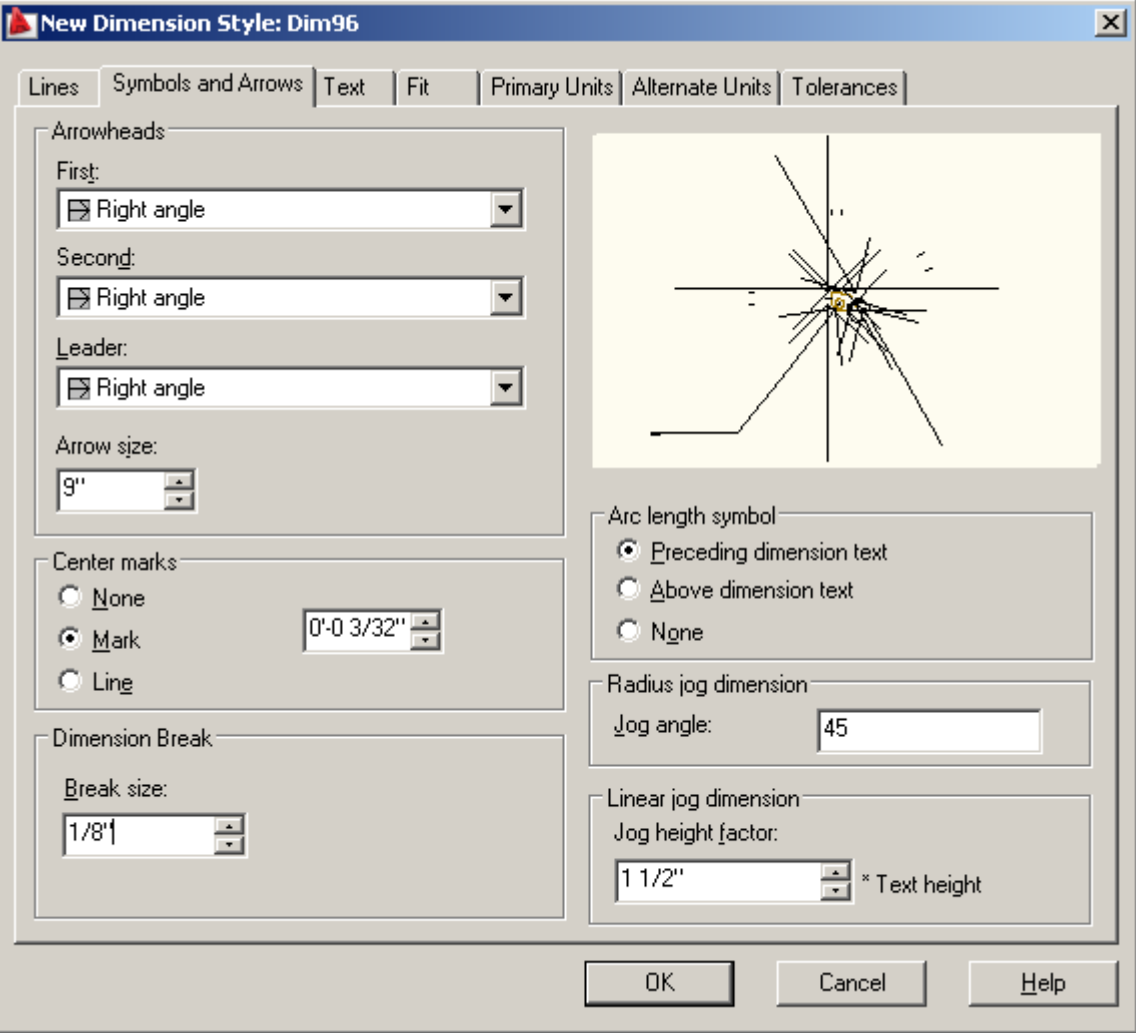
### Architectural Scale Factors (1/10" Text)

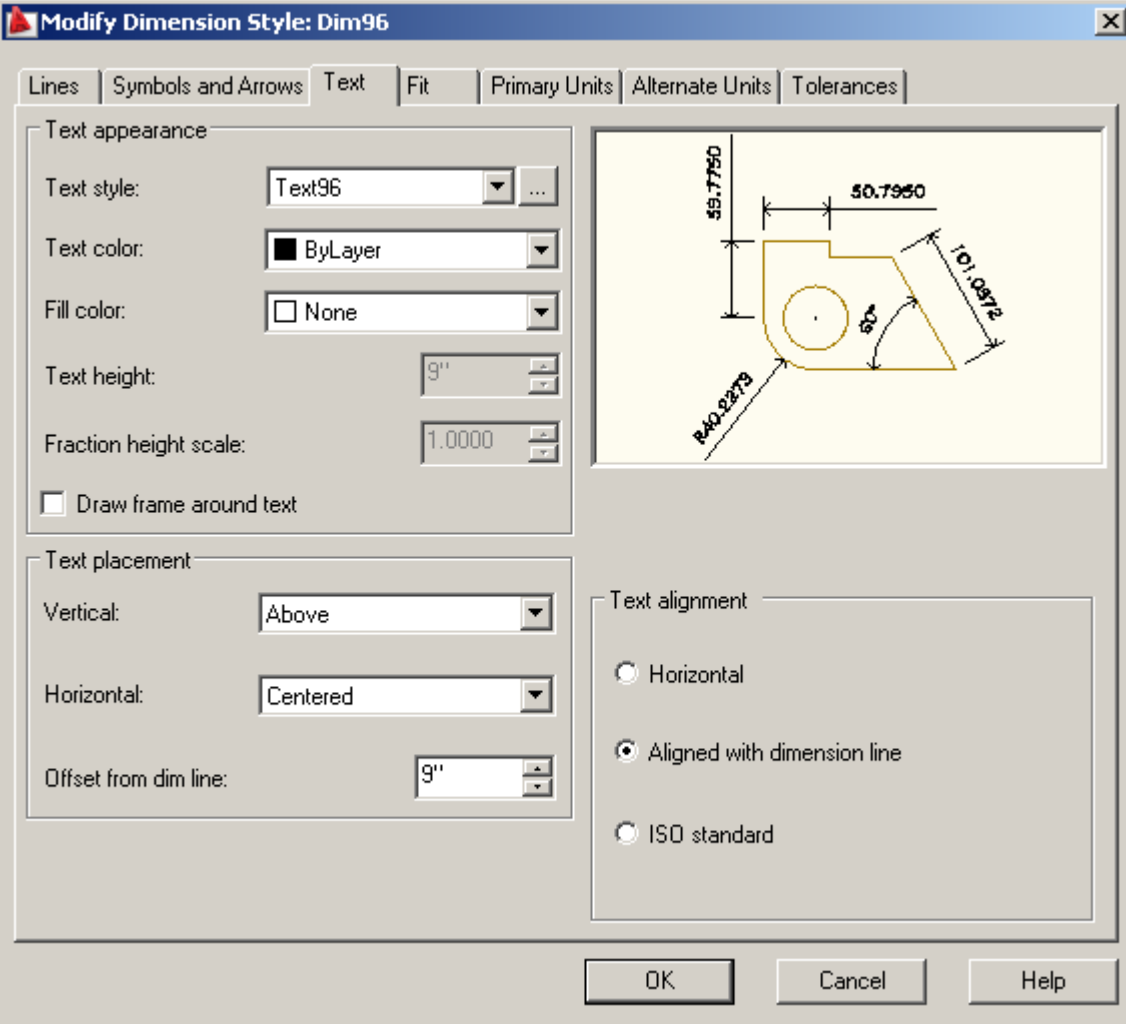
| Scale            | Scale Factor | Text Size<br>Inches |
|------------------|--------------|---------------------|
| 1/16" = 1' - 0"  | 192          | 19.2                |
| 1/8" = 1' - 0"   | 96           | 9.6                 |
| 1/4" = 1' - 0"   | 48           | 4.8                 |
| 3/8" = 1' - 0"   | 32           | 3.2                 |
| 1/2" = 1' - 0"   | 24           | 2.4                 |
| 3/4" = 1' - 0"   | 16           | 1.6                 |
| 1" = 1' - 0"     | 12           | 1.2                 |
| 1 1/2" = 1' - 0" | 8            | 0.8                 |
| 3" = 1' - 0"     | 4            | 0.4                 |



Set up a new dimension style named "Dim96". Set up the dimension style using the following parameters.







Modify Dimension Style: Dim96

Lines | Symbols and Arrows | Text | Fit | Primary Units | Alternate Units | Tolerances

Linear dimensions

Unit format: Architectural

Precision: 0'-0 1/16"

Fraction format: Horizontal

Decimal separator: '.' (Period)

Round off: 0"

Prefix:

Suffix:

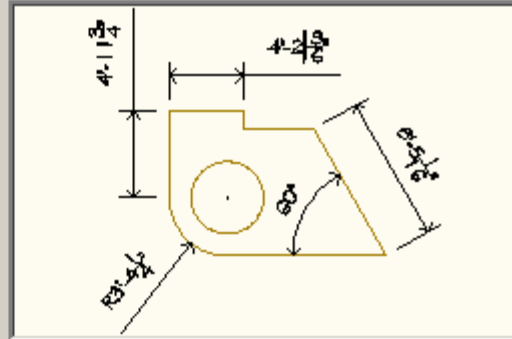
Measurement scale

Scale factor: 1.0000

Apply to layout dimensions only

Zero suppression

- Leading  0 feet
- Trailing  0 inches



Angular dimensions

Units format: Decimal Degrees

Precision: 0

Zero suppression

- Leading
- Trailing

OK

Cancel

Help